



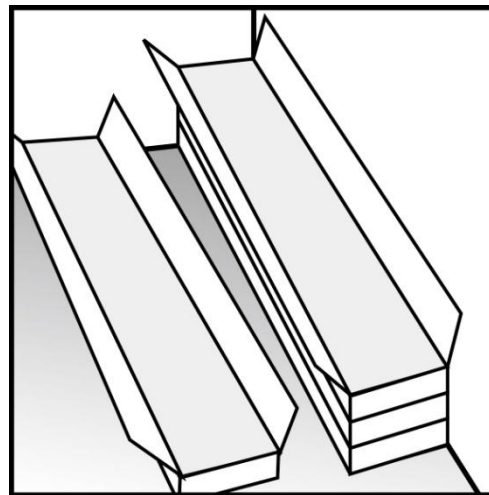
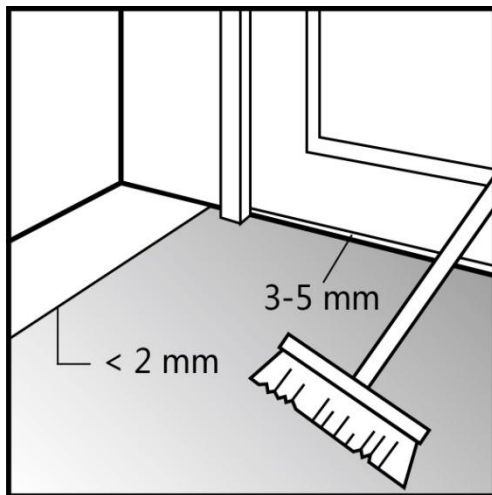
地板铺装指南

Wood-Be Installation Guidelines

1、安装条件

Site conditions

- ◆ 施工现场地面平整干燥不起沙，每平方米地面高低落差不得超过2毫米，否则地面需做平。墙保持平直，否则安装踢脚线容易显缝。
The subfloor must be flat, without cracks, loosen pieces. The gap on the sub floor per square meter can not be more than 2mm. Keep the wall flat to avoid the gap after the installation of the skirting boards.
- ◆ 在选购地板前应测量并向供方说明：铺装地面与门底端面之间的最小间距（该间距应大于所购地板厚度的3毫米到5毫米）。
Contact Wood-Be team before purchasing :the space between the ground and the bottom of the door need to be thicker 3mm to 5mm than the floor.
- ◆ 地热：保证地热无渗水现象，地坪含水率小于3%，必须保证在地坪干燥的形态下铺设地板。
Heating System: Ensure no water leaking, the moisture of terrace should be less than 3%.
- ◆ 在铺装时，请同时打开 3-4盒，轮换安装，以达到色泽均衡美观。
Before installation: Open three to four boxes. Each piece in each box should be installed alternatively one by one in order to keep the floor in balanced color and esthetically harmonized.



2、铺装方法

Ways of installation

- ◆ 胶式安装：适合地热 地板胶+多层实木地板

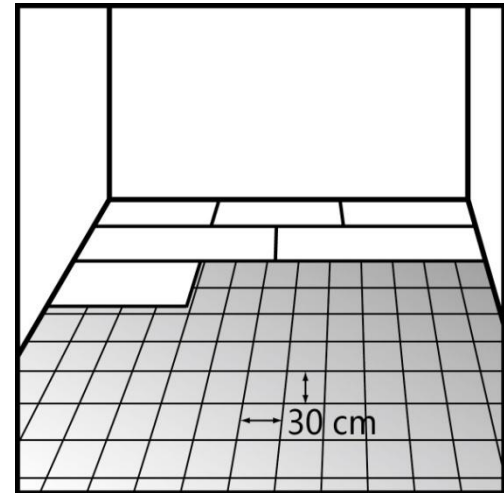
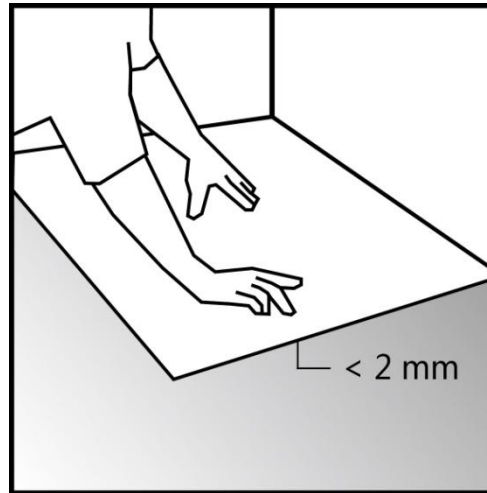
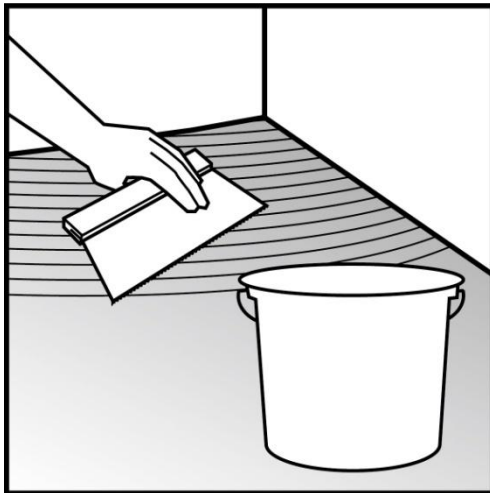
Glue down : Suitable for the heating system floor adhesives + engineered floorings

- ◆ 悬浮式安装：不适合地热 防潮膜+多层实木地板

Floating : Not for the heating system waterproof films + engineered floorings

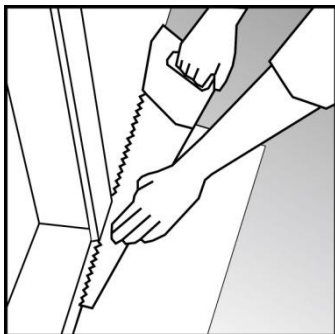
- ◆ 钉式安装：不适合地热 龙骨+防潮膜+多层实木地板

Nail down : Not for the heating system wooden keels + waterproof films + engineered floorings



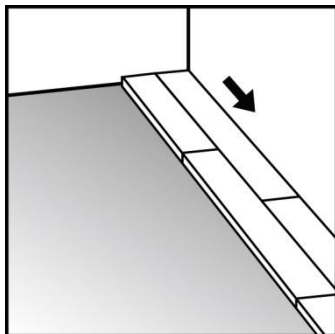
3、铺装过程

Paving process

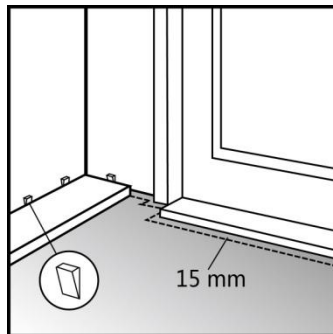


根据地板的厚度打磨门套，给地板嵌入门套内留出位置。

Shorten all the door jambs

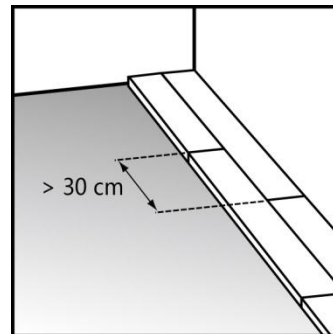


地板的铺设方向应顺着房间的长边铺设，如房间是正方形可顺着光线照射进来的方向铺设。
Boards must run lengthwise along the longest wall



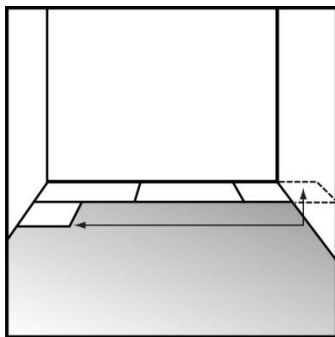
地板铺装时，四周应预留 10-15 mm 的伸缩缝。

Use spacers to keep the Boards 15 mm off the wall



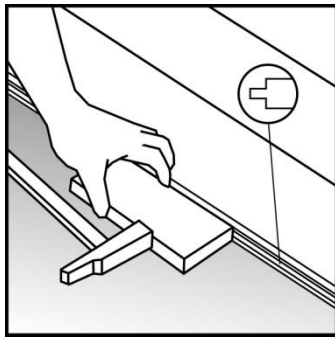
地板铺装时，横缝应交错铺设，其间隔必须大于 30cm。

Shift the boards of each row by at least 30 cm



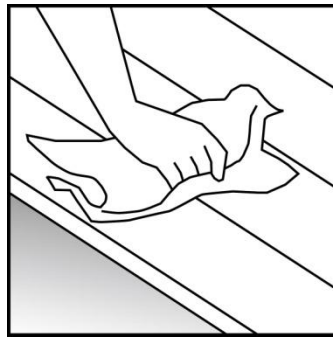
铺装第一行后，若锯下的余量超过 30 cm，则可留在后面继续使用。

The leftover can be used in the next row



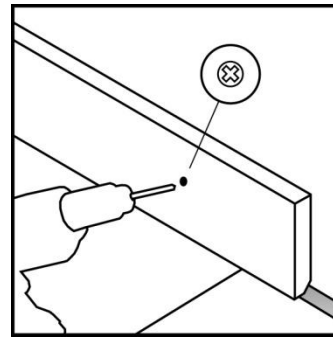
拼装地板时，用专用敲板（木槌）敲实。

Gently tap any gapped joints by using a block and hammer



及时用湿布将挤出板缝的胶液擦去。

Remove all the adhesive rests Carefully with a wet cloth



最后安装踢脚线，盖住预留的伸缩缝。

Skirting boards or moldings Overlapping the expansion gap

注：以上为常规铺装方案，可由用户与设计师大指定。

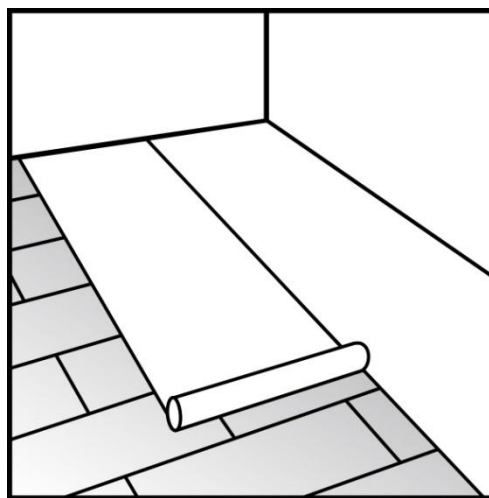
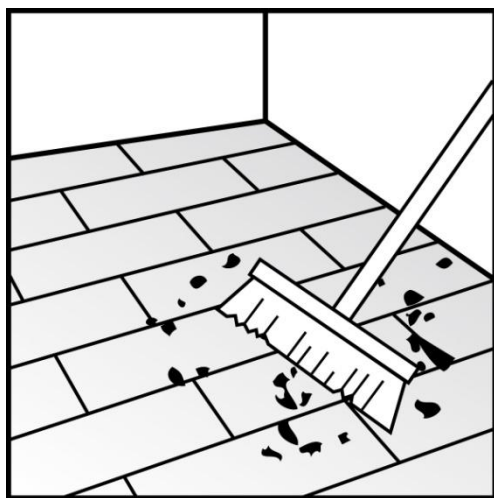
PS: Besides the regular ways above, it is also to be determined by the customer or the designer.

4、地板保护

Protection for the floors

地板铺装完成后，需及时清理表面垃圾，并用透气的材料覆盖保护。

After installation, the floors must be covered by the permeable material for protection.



Wood-Be
a touch of nature